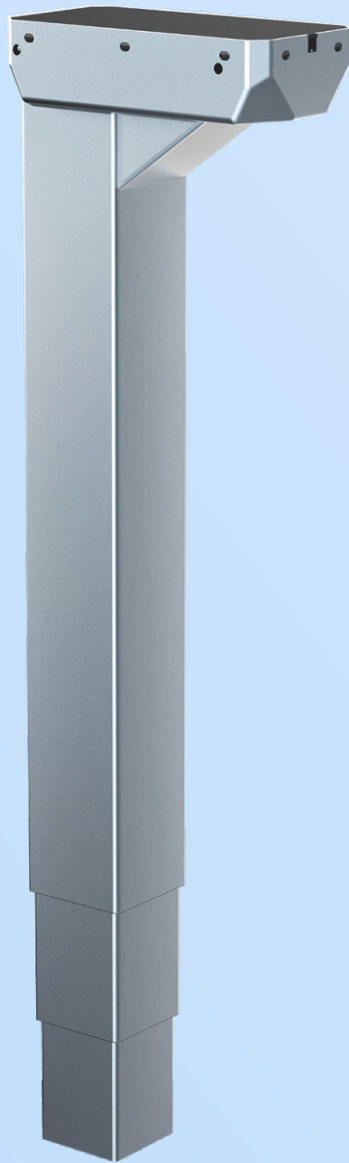


Data sheet

# Lifting Column JS36DS1-3-R



## Data sheet

# JS36DS1-3-R

- JS36DS1-3-R is a square 3-segment no-hole column with smooth and concise design, The 3 segment tube guarantee a short installation dimension combined with a long stroke length, making JS36DS1-3-R to be the optimum choice in various desk height.
- JS36DS1-3-R is an upside down column, where the inner tube is mounted on the foot construction. And the Triangular support block design between motor housing and outer tube enhance stability. It is intended for desks without beam, this feature ensures an optimum freedom of design.
- JS36DS1-3-R is available in several standard colours and can be used in kinds of frame & foot construction.
- JS36DS1-3-R is compatible with all the standard Jiechang control boxes, and ensures a very low and pleasant noise level, and steady movement.
- The function of anti-collision minimize the risk of damages when desk collision with an obstacle.
- Furthermore, the system has a very low standby power consumption less than 0.1W.



---

## Features

- Triangular support block design and optimized motor housing for extra strength and stability.
- The tube is no hole design.
- Max. load capacity is 800N per column.
- Fit with JCB35N series Jiechang control boxes to realize max speed 35mm/s
- Low noise level <50dB
- Max. Bending moment: 150N.m
- Standard installation length: 560mm
- Standard stroke length: 650mm
- Column dimensions: outer tube:70x70mm; middle tube: 65x65mm, inner tube: 60x60mm
- Motor housing dimension: 190x96x48mm
- Motor: Jiechang design high power motor
- Hall sensor enabling parallel drive
- Surface: Powder coating with standard color: White(RAL9016), Black(RAL9005), Grey(RAL7045)

---

## Option

- Customized colours
- Compatible with several different styles of feet.
- PVC-free column

## Usage

- Single or 2, 3, or 4 parallel drive or even multi-parallel with up to 12 columns, and can fit with Jiechang TS, TT, TF standard frame.
- Compatible with Jiechang control box: JCB35N1; JCB35N2; JCB35N3; JCB35N4
- Duty cycle: 10 %, Max. 2 minutes operation/Min. 18minutes rest of continuous use at full load
- Working environment: Indoor
- Storage and transport temperature :-10°C + 70°C
- Approved according to EN60335-1 and UL 962

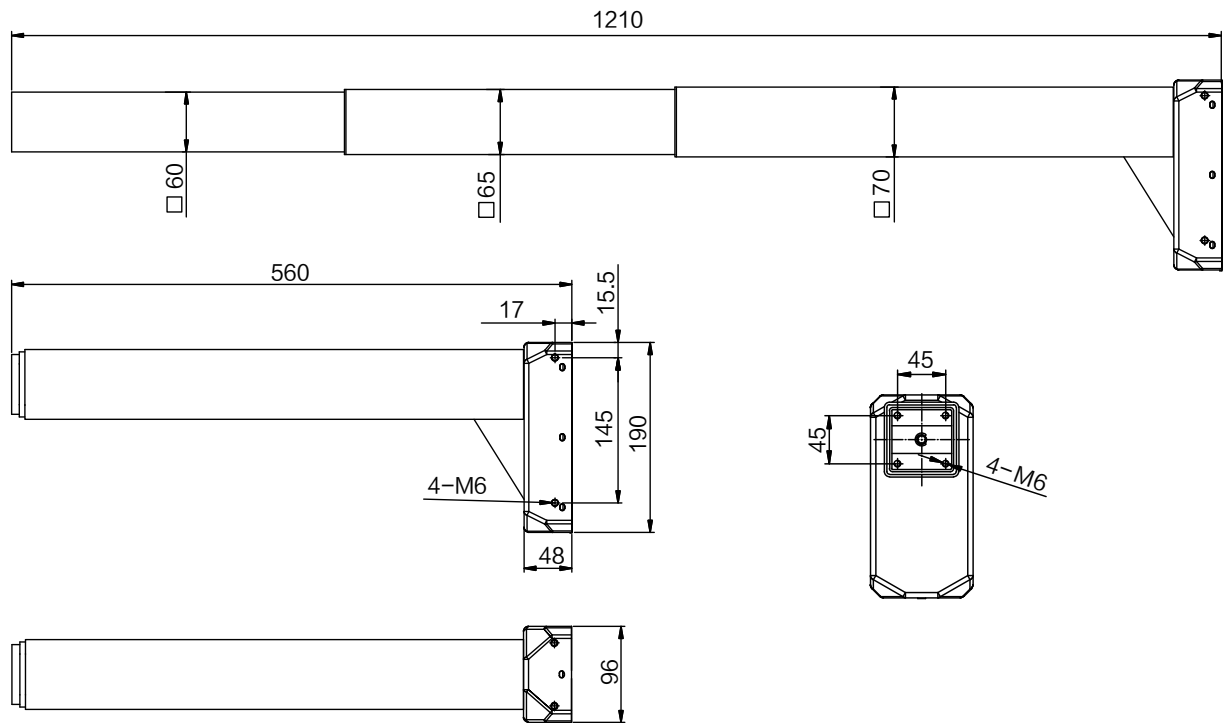
---

## Technical specifications

Type	Rated load (N)	Self locking (N)	Typical current at rated Load (A)	Typical max speed 0 load~ Rated load (mm/s)	Duty cycle	Stroke length (mm)	Built-in length (mm)
JS36DS1-3-R	800	1200	5	35	10%	650	560

Note: The measurements above are made in connection with the control box JCB35N series.

## Dimensions



## Ordering Key

**JS36D X - X - X XXX / XXX - X - X**

