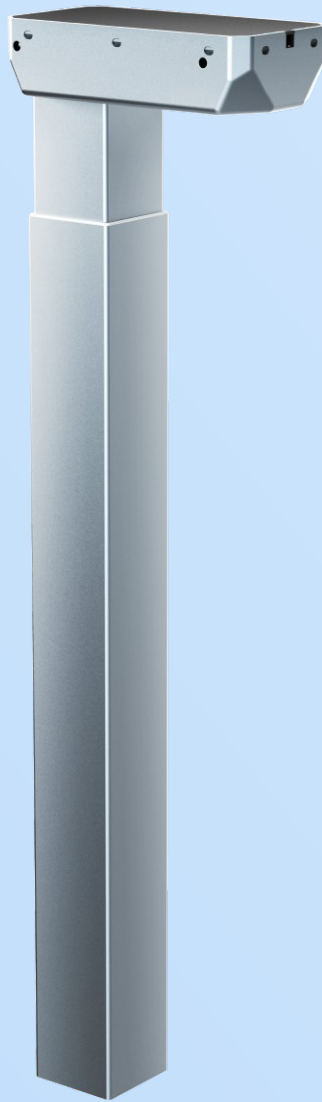


Data sheet

# Lifting Column JS36DS9-2-S



## Data sheet

# JS36DS9-2-S

- JS36DS9-2-S is a square shape 2-segment no hole column, the optimum choice for a wide range of desk applications, especially within the office area. The design is new and clean, which also is a cost effective alternative to model: JS36DS9-3-S. JS36DS9-2-S has the same outer dimensions and mounting holes as JS36DS9-3-S, which makes them compatible and they can be used in the same frame & foot construction. JS36DS9-2-S is available in several standard colours to fit into a wide range of desk designs.
- The function of anti-collision minimize the risk of damages when desk collision with an obstacle.
- JS36DS5-2-S is compatible with all the standard Jiecang control boxes, and ensures a very low and pleasant noise level, and steady movement.



---

## Features

- With 1.5mm thickness square tube and 3mm optimized motor housing design for extra strength and stability.
- The tube is no hole design
- The single column max load capacity: 800N
- Fit with JCB35N series Jiecang control boxes to realize max speed 35mm/s
- Low noise level <50dB
- Max. Bending moment: 150N.m
- Standard installation length: 650mm
- Standard stroke length: 500mm
- Outer tube size: 65×65mm of square shape
- Motor housing dimension: 190×96×48mm
- Motor: Jiecang design high power motor
- Hall sensor enabling parallel drive
- Surface: Powder coating with standard color: White (RAL9016), Black (RAL9005), Grey (RAL7045)

---

## Option

- Customized colours
- Compatible with several different styles of feet
- PVC-free column
- Bracket for crossbar

## Usage

- Single or 2, 3, or 4 parallel drive or even multi-parallel with up to 12 columns, and can fit with Jiechang TS, TT, TF standard frame.
- Compatible with Jiechang control box: JCB35N, JCB35N1, JCB35N2, JCB35N3 JCB35N4
- Duty cycle: 10 %, Max. 2 minutes operation/Min. 18minutes rest of continuous use at full load
- Working environment: Indoor
- Storage and transport temperature :-10°C + 70°C

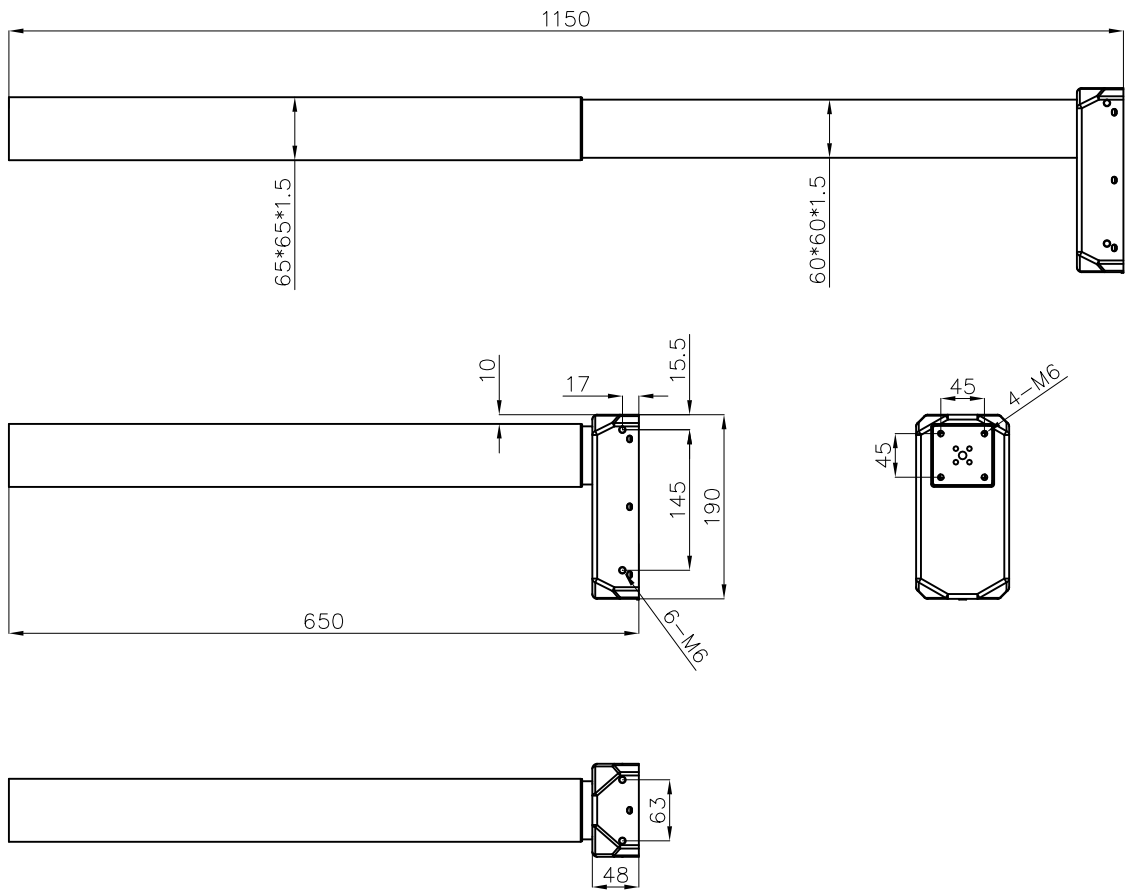
---

## Technical specifications

Type	Rated load (N)	Self locking (N)	Typical current at rated Load (A)	Typical max speed 0 load~ Rated load (mm/s)	Duty cycle	Stroke length (mm)	Built-in length (mm)
JS36DS9-2-S	800	1200	5	32	10%	500	650

Note: The measurements above are made in connection with the control box JCB35N series.

## Dimensions



## Ordering Key

**JS36D S9 - 2 - S - 500 / 650 - 0 - S**

		Color	H=White B=Black S=Gray
		Pre-weld bracket size & location	The column stands without bracket
		Installation length	560/650
		Stroke length	650/500
		Stand or upside down	R=Reverse S=Stand
		Segment	2=Two-segment 3=Three-segment
		Tube size	S9=65X65X1.5 55X55X1.5 55X55X2
		JS36D series lifting column type	JS36Z