

Data sheet

Handset JCHT35K20



Data sheet

JCHT35K20

- JCHT35k20 is an innovation handset, which is operated by tilting. Tilt and hold the handset up and down to realize desk lifting. The backlight will light up during operation, giving a better human-computer interaction experience. The panel shape can be customized, which can fit for both regular desktop and duckbill desk desktop.



Features

- Transparent panel
- Operate by tilting for up and down
- Accept customized shape
- With different back light color options
- Patent product

Option

- Optional backlight color: Red, White, Yellow, Blue and Green.
- Panel option: Mirror planar panel or frosted bending panel
- Customized LOGO

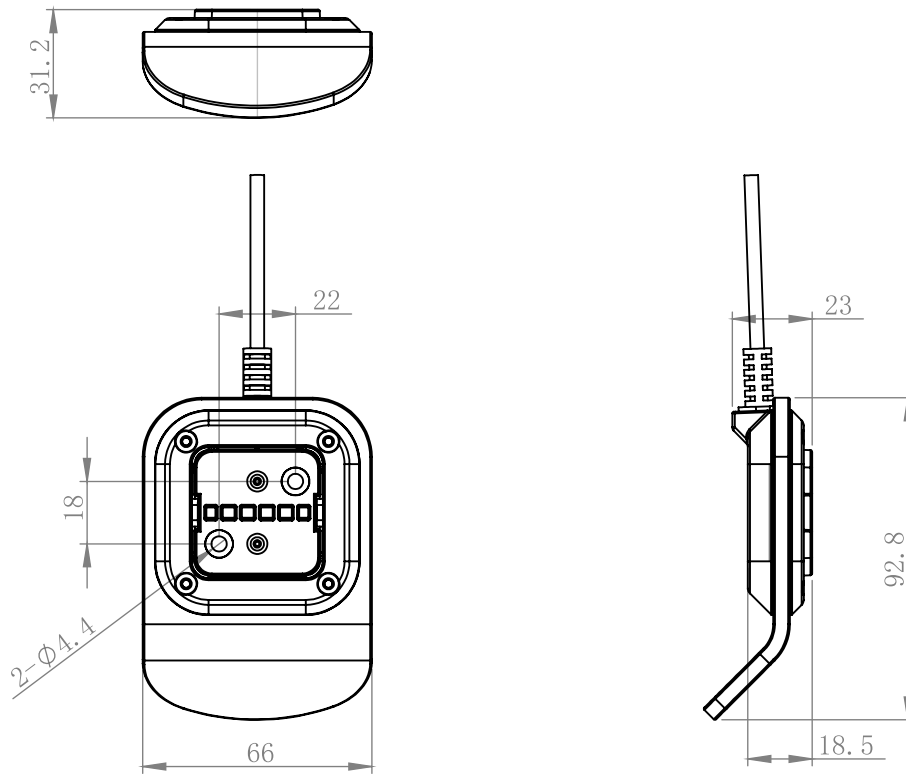
Usage

- Fit with control box: JCB35N; JCB35N1/ JCB36N1; JCB35N2/ JCB36N2;
JCB35N3/ JCB36N3; JCB36N4; JCB35M/ JCB36M;
JCB35NS1/JCB36NS1/JCB35NS2/ JCB36NS2
- Working environment: Indoor
- Storage and transport temperature : -25°C + 70°C
- Relative humidity RH40%-95%

Technical specifications

- Keystroke $\leq 3\text{mm}$

Dimensions



Ordering key

JCHT35K 20 - 1 - 001 - V3 - G/05 - H - 2D0 - W - 0

																Mount type
																1=tilt mounting 2=vertical installation 3=embedded desktop installation
																Backlight color/Colors of filament
																Backlight color: W=white B=black Y=yellow-green Colors of filament: W=white B=blue Y=yellow-green G=green R=red
																Cable length
																2m
																Wire plug&type code
																H=crystal plug A=Conventional bend plug E=daughter plug
																Color
																B=black G=white S=silver gray
																Panel code
																6V1
																Button row number
																1
																Configuration
																A=low configuration B=medium configuration C=advanced configuration D=top level configuration
																Number
																6=M6 7=M7
																JCHT35K Series handset
																JCHT35M