

Data sheet

Handset JCHT35K8



Data sheet

JCHT35K8

JCHT35K8 is a perfect choice for a wide range of desks and workstations with a demand for a LED display with height read-out. Match with series of JIECANG JCB35N control box to all kinds of adjustable desk.

JCHT35K8 can be installed in various types of height adjustable desks, making easy use of pressing up & down button as well as two memory buttons to control desk lifting.

JCHT35K8 has a display for height read-out in either cm or inches. As an extra feature, the LED display can be used for diagnostics as error codes can be displayed.



Features

- Up/down drive
- 2 memory buttons
- LED displays actual height
- Color: Black
- Wire length: 2000mm with 8-pin crystal plug

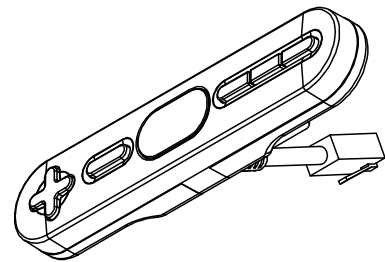
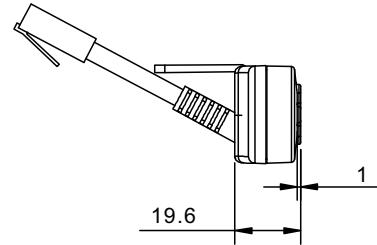
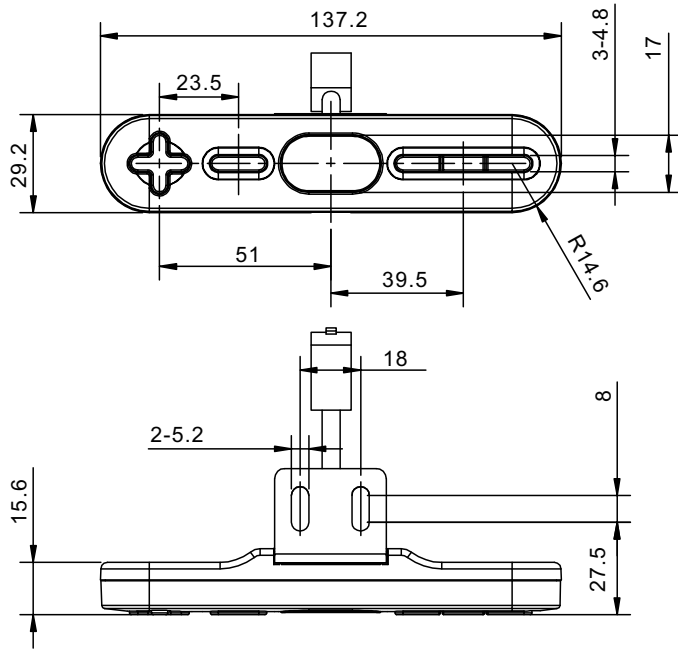
Options

- Customized cable length

Usage

- Compatible control box: JCB35N1, JCB35N2, JCB35N3, JCB35N4
- Ambient temperature: Indoors(+5°C to +40°C)

Dimensions



Ordering key

JCHT35K - X - X - X - X - X - X

