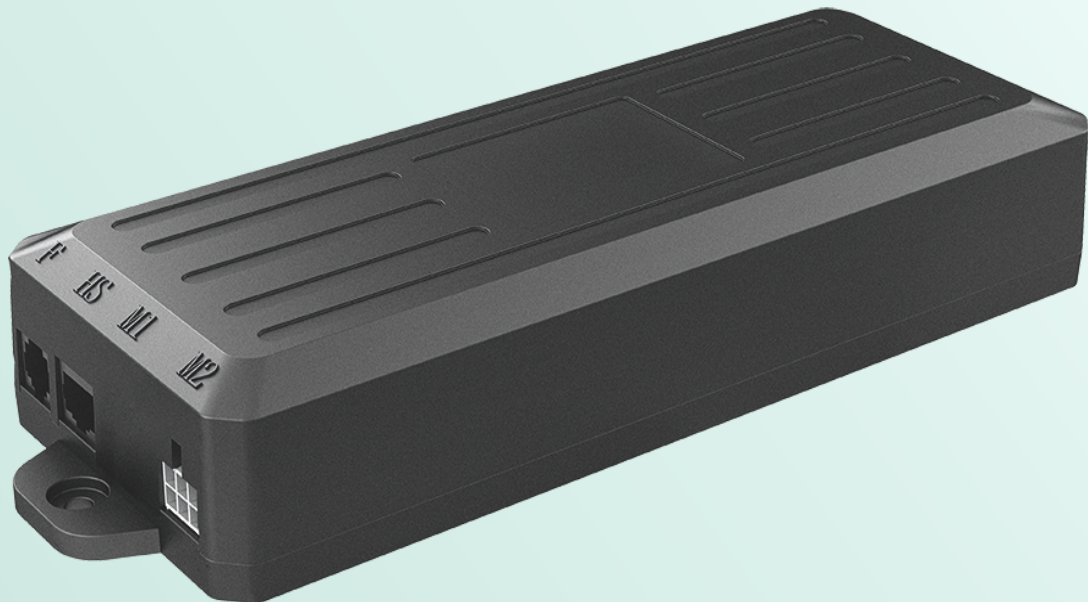


Data sheet

Control Box JCB35N1



Data sheet

JCB35N1

JCB35N1 control box is an optimum choice for single motor system.

Together with JIECANG new software, it can achieve the function of setting height limits, locking desk, changing anti-collision sensitivity and etc.

JCB35N1 is also compatible with all the JIECANG lifting columns. The control box ensures smooth drive of the desk and soft-start & soft-stop of the connected columns. It has anti-collision function to protect objects from the damage of accident collision during working.



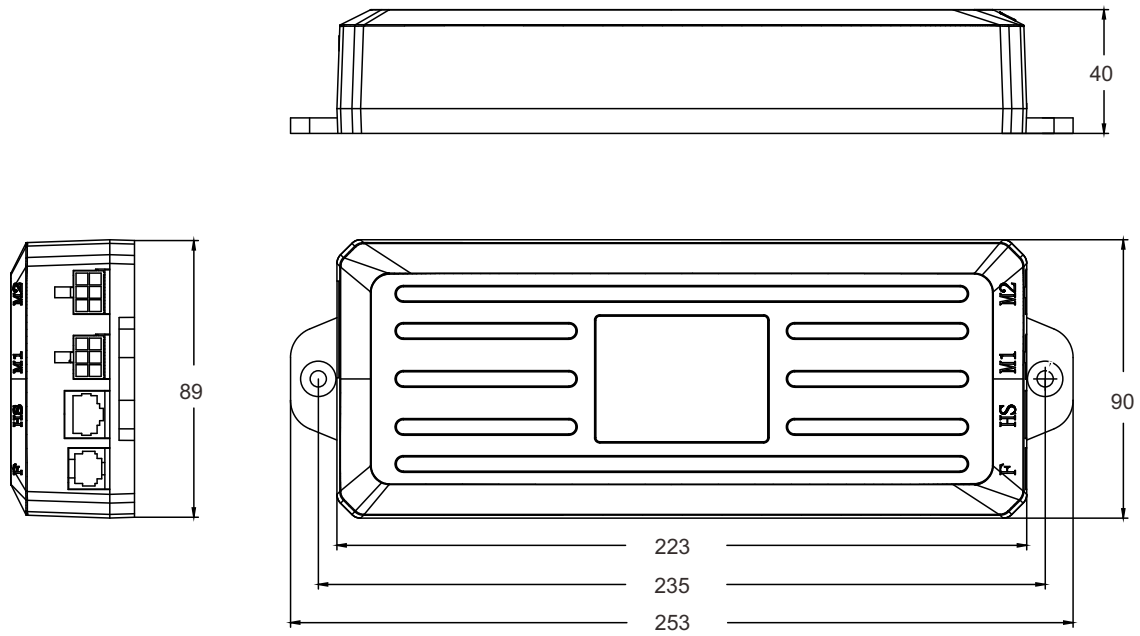
Features

- Compact high-power control box
- Compatible with motor QTY: 1
- Colour: black
- Shell material: fireproof ABS
- Overload protection
- Overheat protection
- Short-circuit protection
- Anti-collision protection
- Soft-start & soft-stop function
- 0.1W extremely low standby power consumption
- Duty cycle max: 10 %
- Compatible with all JIECANG columns
- Certifications of CE, UL

Options

- With built-in sensor in control box, realize super sensitive anti-collision protection

Dimension



Ordering key

JCB35X - X - X - X - X - X - X - X - X - X - X - X - X - X - X - X

